



ECOMULTI COMPACT

6 CHEMICAL DISPENSER

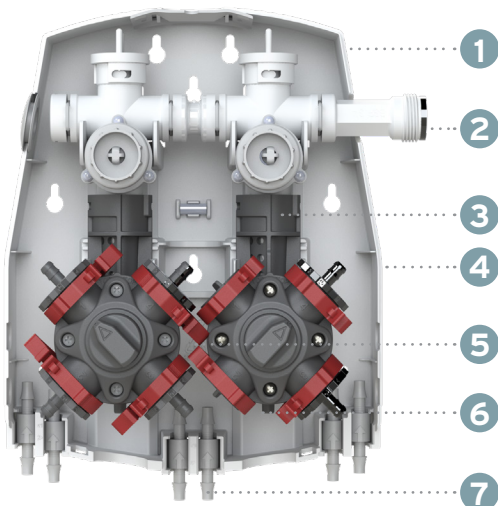
PRODUCT DATASHEET



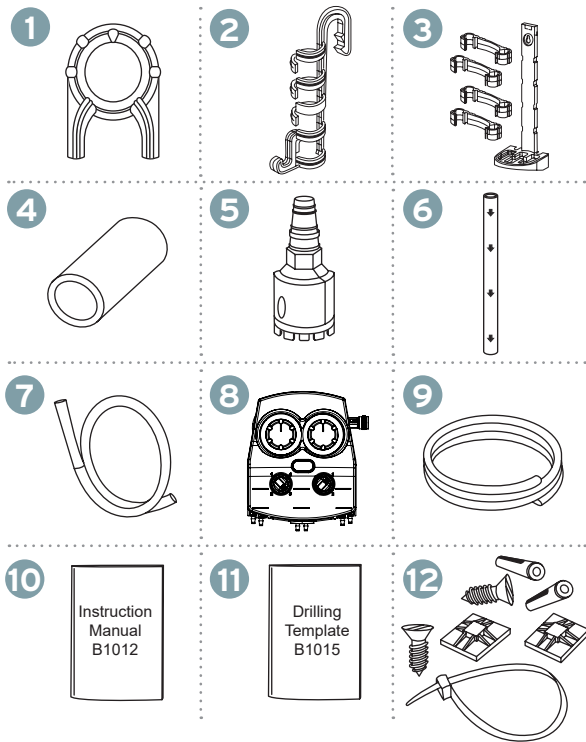
ECOMULTI is a venturi system that can dilute up to 6 chemicals from one dispenser. Ideal for use with spray bottles, buckets or scrubber dryers, the system is designed with two separate proportioners making it suitable for combining high flow (14L/min) and low flow (4L/min) applications.

SPECIFICATIONS: **ECOMULTI**

DIMENSIONS (APPROX MM)	H 271 x W 211 x D 134
WEIGHT (APPROX)	1.5 kg
BRANDING (MM)	Centre branding plaque: H 15 x W 40 Multi-lingual, colour-coded chemical pictograms
INSTALLATION	Working temperature range 4 - 65°C Working pressure range 2 - 5 bar Minimum water flow required: High flow = 8.5L/min Low flow = 3.5L/min
DILUTION	13 independent dilution ratios High Flow 6:1 - 350:1 Low Flow 2:1 - 128:1
MATERIAL	Cover/Backplate/Dial Selector: Glass Bead Polypropylene (GBPP) Proportioner Pusher: ABS Internal tubing and seals: EPDM
APPROVALS	ASSE: Record Number: 1562 WaterMark: Licence No. WMK25899 Specification: ATS5200.101 - 2005
WARRANTY	2 years



- 1 Easy removal/cleaning of inlet filter
- 2 Water inlet from either side. 3/4" BSP or NPT male inlet connection
- 3 Easy installation: Built-in spirit level and multitude of drilling holes
- 4 Available in high flow and low flow versions with BrightGap or AirGap
- 5 4 Product Dial Selector to select chemical. Chemical is delivered via patented dilution pin that eliminates the need for metering tips and allows for selection of up to 13 dilution ratios per chemical
- 6 2 Product Dial Selector to select chemical. Chemical is delivered via patented dilution pin that eliminates the need for metering tips and allows for selection of up to 13 dilution ratios per chemical
- 7 Chemical can be delivered from side chemical cabinets or from chemical containers installed at the bottom of the unit

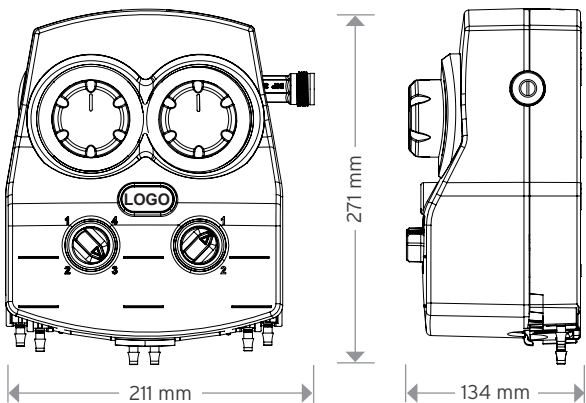


IN THE BOX:

- 1 Dispenser key
- 2 Bucket hook (high flow version)
- 3 Bottle bracket and clips (low flow version)
- 4 Ceramic weight
- 5 Foot filter
- 6 Low flow outlet tube with flood ring
- 7 High flow 1.5m outlet tube with flood ring
- 8 ECOMULTI Compact unit
- 9 Clear PVC chemical suction tube - 6 x 9
- 10 Instruction manual and chemical pictograms
- 11 Drilling template
- 12 Screw pack

AVAILABLE ACCESSORIES

- Hanging bracket
- Secure chemical cabinet
- Coloured rings



SHIPPING INFO

SHIPPING METHOD	QUANTITY OF UNITS	DIMENSIONS L X W X H (CM)	NET PACKED WEIGHT (KG)
UNIT	1	39 X 31 X 17	3.1
CASE	2	63 X 54 X 27	7
PALLET	54	120 X 100 X 117	191
EURO PALLET	36	120 X 80 X 117	135

BESPOKE PACKAGING AVAILABLE ON REQUEST

PART NUMBER

DESCRIPTION

DXC4L2H-WK	ECOMULTI Compact Low Flow x 4 High Flow x 2 White Cover Grey Ring BrightGap
DXC4L2H-WK-WK/AG	ECOMULTI Compact Low Flow x 4 High Flow x 2 White Cover Grey Ring AirGap
DXC4L2L-WK-WK	ECOMULTI Compact Low Flow x 6 White Cover Grey Ring BrightGap
DXC4L2L-WK-WK/AG	ECOMULTI Compact Low Flow x 6 White Cover Grey Ring AirGap

BESPOKE PART NUMBERS AVAILABLE ON REQUEST

All information stated in this datasheet is correct at the time of printing and is subject to change without notice

BRIGHTWELL DISPENSERS LTD

Unit 1, Rich Industrial Estate, Avis Way, Newhaven, East Sussex, BN9 ODU, UK

T +44 (0)1273 513 566 F +44 (0)1273 516 134 E sales@brightwell.co.uk W brightwell.co.uk

VAT No: GB 100 1998 47. Company registration No: 0661996. Registered in England.