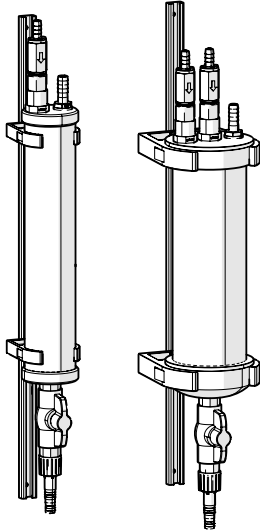




CALIBRATION VASE MULTIPLEX ACCESSORY



Description

The Calibration Vases are precision instruments designed for accurate liquid measurement and calibration in industrial settings. Available in both large and small sizes, these vases are essential for calibrating dosing systems and ensuring accurate liquid flow measurements. Built from durable, chemical-resistant materials, the Calibration Vases are ideal for repeated use in demanding environments such as industrial laundries and chemical dosing systems.

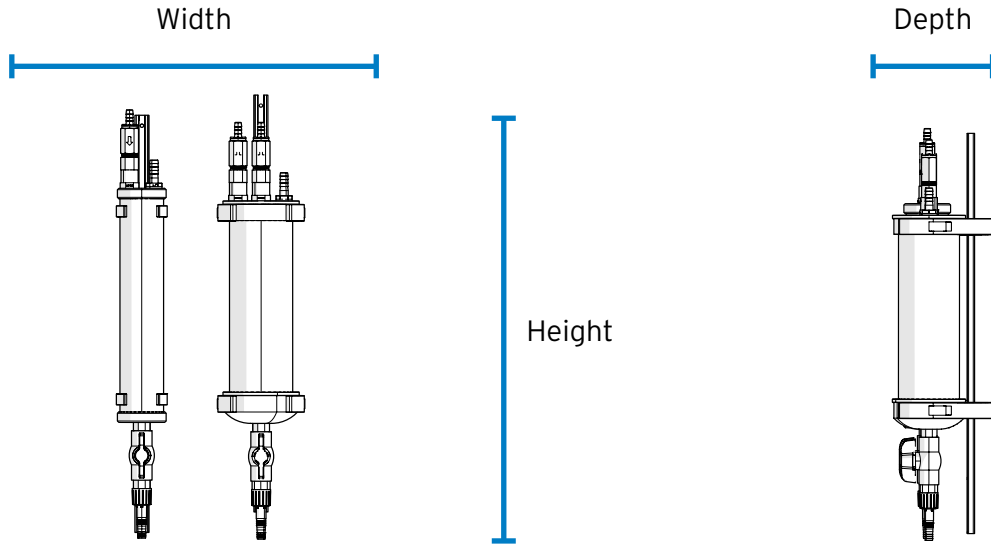
Technical Specifications

	Value
MATERIALS	PVC
TANK CAPACITY	800ml 1500ml
CONNECTOR	10mm barbed
NON RETURN VALVE	FKM

Details

Part Code	Description	Length	Diameter
A500MV11800	MEASURING VASE 800 ML	600 mm	66 mm
A500MV211500	2 INLETS 1500ML	600 mm	91 mm

Diagram



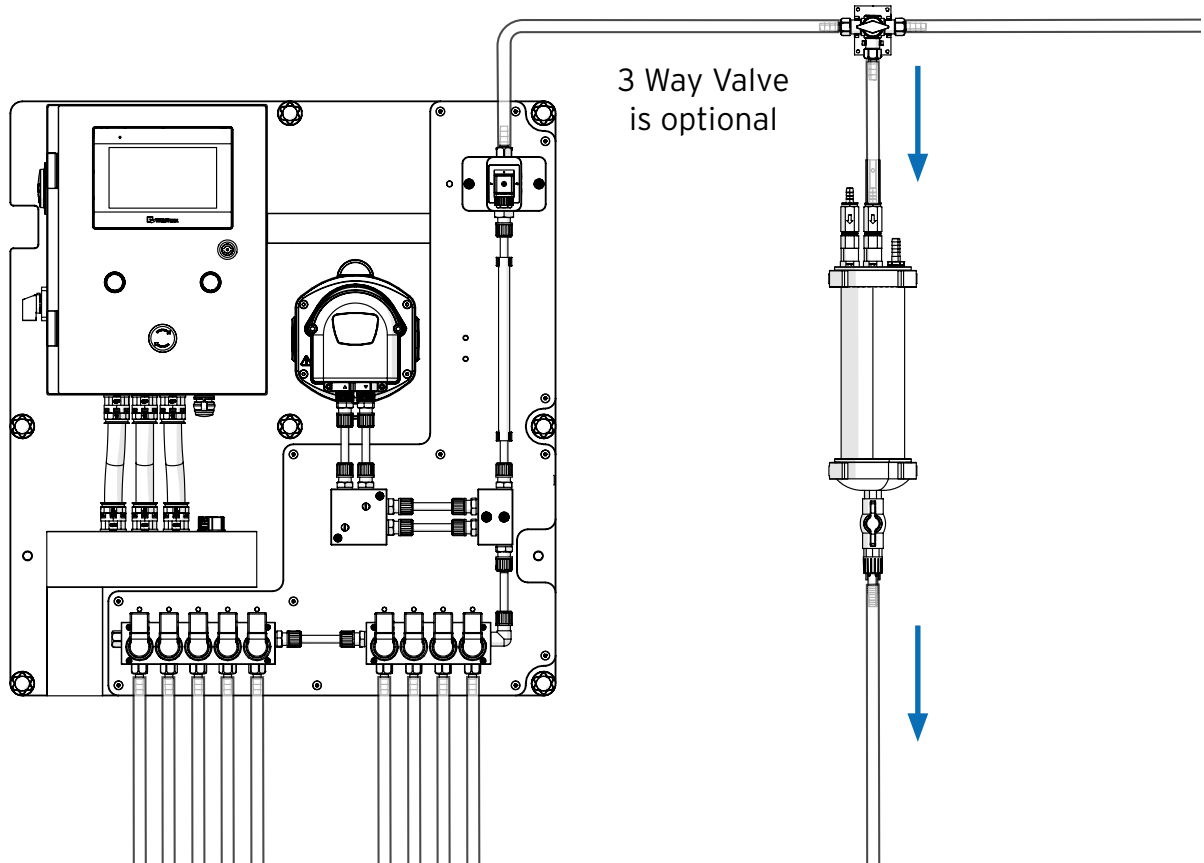
Dimensions (mm)

Model	Width	Height	Depth
800	73	600	106
1500	126	600	158

Weight

800	1.8 kg
1500	2 kg

Connection



T +44 (0) 1273 513566 E sales@brightwell.co.uk W brightwell.co.uk

Unit 9, Euro Business Park, Estate Road, Newhaven, East Sussex BN9 0DO

All information in this data sheet is correct at the time of printing and is subject to change without notice.